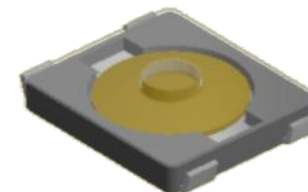
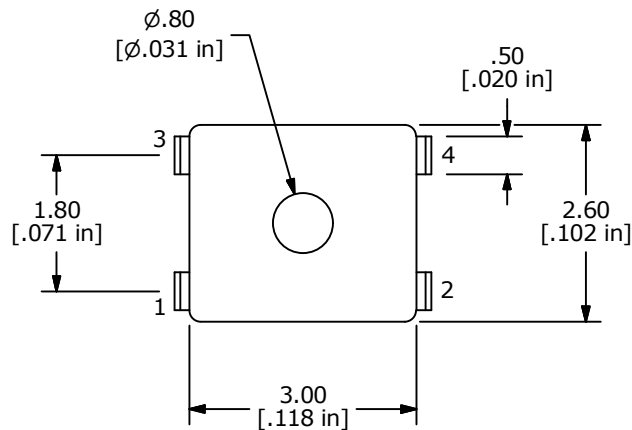
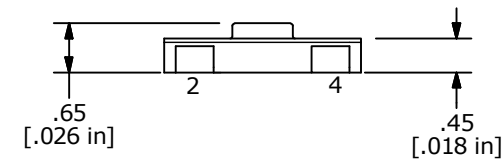
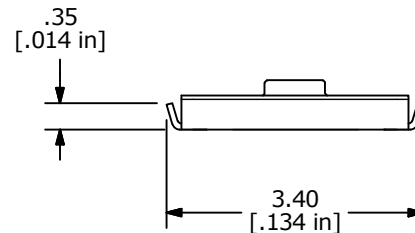


CIRCUIT: SPST



NOTES:

1. ALL DIMENSIONS IN MM [INCH]
2. GENERAL TOLERANCE: x.x =  $\pm 0.4$   
x.xx =  $\pm 0.25$
3. TERMINAL NUMBERS FOR REF. ONLY
4. CONTACT MATERIAL: SILVER
5. CONTACT RATING: 50mA; 12VDC
6. TRAVEL: 0.15  $\pm$  0.1mm
- ▲ 7. OPERATING FORCE: 100  $\pm$  50 GRAMS
8. ELECTRICAL LIFE: 100,000 CYCLES
9. CONTACT RESISTANCE: 500m $\Omega$  MAX.
10. ▲ DENOTES CRITICAL PARAMETER
11. BOUNCE: 10m SECONDS MAX
12. INSULATION RESISTANCE: 100M $\Omega$  MIN.
13. DIELECTRIC STRENGTH: 250VAC FOR 1 MINUTE WITH NO BREAK DOWN
14. 2011/65/EU (ROHS) COMPLIANT; HALOGEN FREE
15. PACKAGING: TAPE & REEL, 8000 PARTS PER REEL.



B	23987	description to TL3701AF100QG	8/6/19	MW
A	23974	Release - New TL3700	7/22/19	MW
REV	PCR NO	DESCRIPTION	DATE	BY

E-SWITCH®				
TITLE TL3701AF100QG				
SCALE	DATE	DR	DWG	REV
10:1	7/23/2019	MW	N370011	B

THE INFORMATION CONTAINED IN THIS DOCUMENT IS PROPRIETARY TO E-SWITCH AND IS NOT TO BE COPIED OR TRANSFERRED